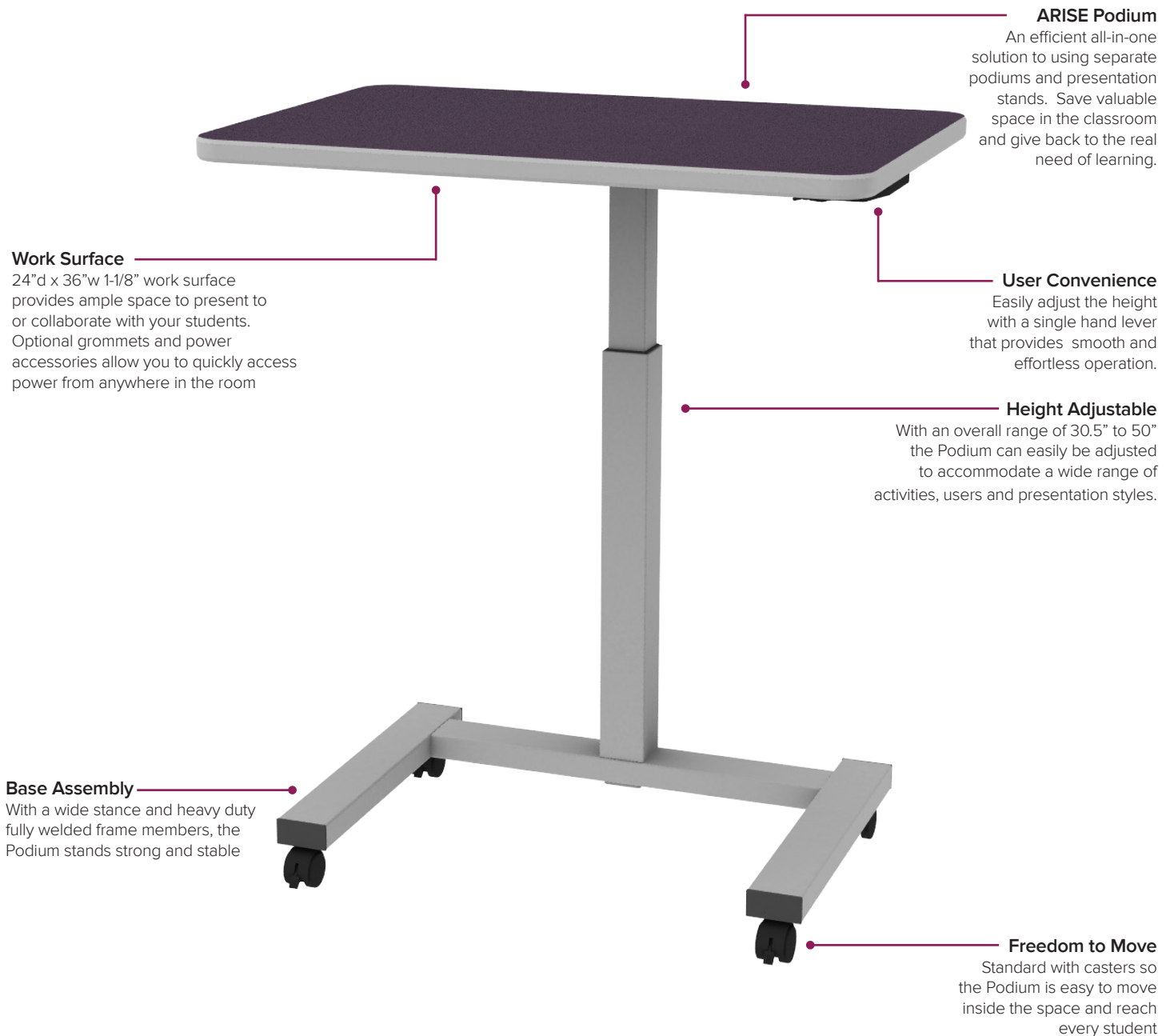


alphabet

ARISE Teacher Podium



alphabet

ARISE

ditch the desk,
create open flow

Personalize to Your Teaching Style

A wide range of accessories are available to meet a variety of classroom applications and teaching styles.



Artcobell Alphabet ARISE Teacher Podium

Who sits still in the classroom anymore? The Alphabet ARISE Teacher Podium allows you to ditch the desk and easily move around as needed to conduct your class. You can be assured of Artcobell quality and performance that has reliably supported over three generations of classrooms.

Flexibility

The ARISE Podium provides you with the flexibility to easily move throughout the space and reach every student. You can also quickly access power from anywhere in the room and have the flexibility to work at different heights depending upon the activity. The Alphabet ARISE Teacher Podium provides the flexibility you need to accommodate a wide range of activities, users and presentation styles.

Space Savings

An efficient all-in-one alternative to using separate podiums and presentation stands. Save valuable real estate in the classroom and allocate that space back to support the real need of learning.

Designed for Lasting Performance

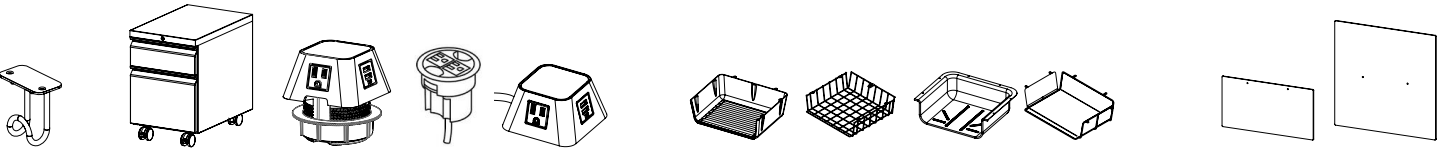
Standard features such as heavy-duty 13-gauge fully welded base assembly, 2-piece telescoping support with pneumatic cylinder and 1-1/8" high pressure laminate tops will provide years of reliable service.

Warranty

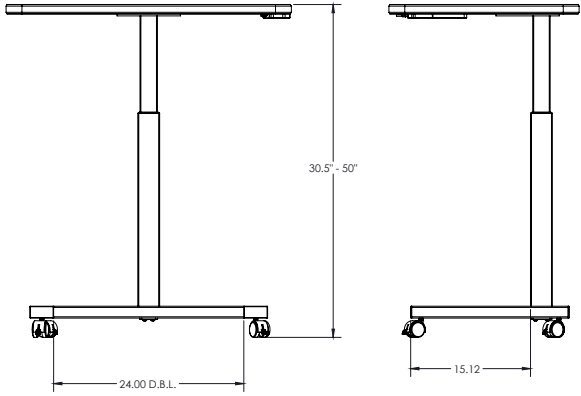
All Alphabet Podiums are covered by Artcobell's industry leading limited LIFETIME warranty so you can be assured of the highest level of quality and service.

Accessories

Customize your podium to meet the needs of your classroom with a broad range of accessories including privacy screens, book boxes, grommets, mobile pedestal and backpack hooks.



TA-BPH1 DPM Mount Flush Free Standing Poly Wire Metal Metal Perforated 12" H 24" H
Backpack Hook **Mobile Pedestal** **Power Grommet** **Book Boxes** **Privacy Screens**



BASE MODEL	TOP		HEIGHT "	D.B.L.*
	WIDTH "	DEPTH "		
ATPA1	36"	24"	30.5" - 50"	24.0"

* Distance between legs

Compliance

- > Complies with Consumer Products Safety Improvement Act (CPSIA) of 2008
- > Indoor Advantage™ Gold. Indoor air quality certified.

