

MITYLITE[®]

DURABLE LIGHTWEIGHT TABLES

ABS Rectangle



MityLite sets the market standard for durability with our lightweight **ABS Folding Tables**. Proprietary construction ensures edge and corner strength while the table surface provides moderate heat shielding. MityLite's ABS tables are perfect for high-use, high-turn areas, and provide years of reliable service. Available in a multitude of sizes, shapes, textures, and color options.*

PRODUCT FEATURES

- 1** Supports more than 2,000 lbs (907kgs)
- 2** Durable, lightweight design
- 3** Variety of leg options available
- 4** Moderate heat shield subsurface
- 5** Stain-resistant tabletop wipes clean
- 6** Durable edge bumper reinforces table strength
- 7** Table legs fold for easy handling & storage
- 8** Non-marring glides



ABS TABLETOP COLOR OPTIONS

TEXTURED TABLETOP FINISHES

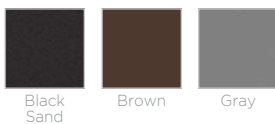


SMOOTH TABLETOP FINISHES (CUSTOM)



Note: SMOOTH Finish is an additional upcharge

LEG FINISH OPTIONS



ABS Rectangle Tables



*These tables are not recommended for longterm outdoor use.

TABLE TOP

Surface is formed from high impact ABS plastic and is permanently bonded to the internal wood laminate core. A variety of smooth and textured finishes are available.

TABLE EDGE

ABS plastic is bonded to the entire interior of the perimeter of the table. A finished bumper is chemically welded to exterior perimeter of the table. Bumper resists moisture and reinforces top and bottom ABS shells.



CORNERS

All corners utilize an external corner-reinforcing component, which fits tightly between the ends of the wood perimeter members. Corner is specially designed for shock absorption.

TABLE LEGS

Reinforced wishbone legs constructed of powdered coated steel are welded to the cross and top bars. Legs are 29" to 30" with nylon or steel closures for floor protection. Legs fold and lock with a gravity-operated steel ring. Folding mechanism consists of two Z-bars and a U-channel.



UNDERSURFACE

Bottom of table is formed from high impact ABS plastic and is permanently bonded to the internal wood laminate core and hard wood frame.



INTERNAL WOOD CORE

A .10"-0.14" [2.5mm - 3.6mm] thick wood laminate layer is permanently bonded to both top and bottom ABS plastic. Laminate core keeps table flat and provides a moderate heat shield.



WOOD FRAME

An internal hardwood frame is constructed of runners and cross members for additional strength, stability, and performance. The amount of wood varies depending on the size of the table.



LEG ASSEMBLY

Legs are mounted to the members of the internal wood frame using steel clamps. Clamps, folding mechanism, and brackets are secured into "T-Nut" type fasteners. "T-Nut" fasteners are pressed into frame) and have anti-spin prongs.



EXTREME EDGE OPTION

Extruded aluminum edge reinforcement option for added strength and impact resistance. Perfect for rough setup crews and high-use/high-turn environments.

AVAILABLE DIMENSIONS

AVAILABLE WIDTHS	AVAILABLE LENGTHS	HEIGHT
18" (46cm)**	30" (76cm)	29" (73cm)
24" (61cm)**	36" (91cm)*	29" (73cm)
30" (76cm)	48" (122cm)	29" (73cm)
36" (91cm)	60" (152cm)	29" (73cm)
36" (91cm)	72" (183cm)	29" (73cm)
36" (91cm)	84" (213cm)	29" (73cm)
36" (91cm)	96" (244cm)	29" (73cm)

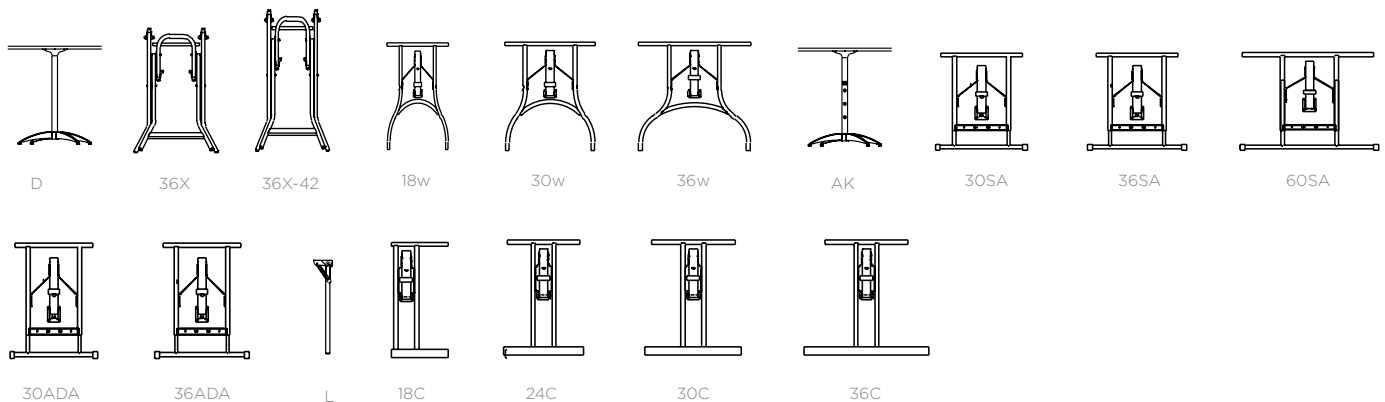
*Only available in 36" wide. (36"x36")

**Not compatible with 30" long tables.

SPECIFICATIONS

WIDTH	LENGTH	HEIGHT	WEIGHT
36" (91 cm)	96" (244 cm)	29" (73 cm)	61 lbs (28 kg)
36" (91 cm)	72" (183 cm)	29" (73 cm)	49 lbs (22 kg)
36" (91 cm)	36" (91 cm)	29" (73 cm)	31 lbs (14 kg)
30" (76 cm)	96" (244 cm)	29" (73 cm)	49 lbs (22 kg)
30" (76 cm)	84" (213 cm)	29" (73 cm)	46 lbs (21 kg)
30" (76 cm)	72" (183 cm)	29" (73 cm)	41 lbs (19 kg)
30" (76 cm)	60" (152 cm)	29" (73 cm)	40 lbs (18 kg)
30" (76 cm)	48" (122 cm)	29" (73 cm)	35 lbs (16 kg)
30" (76 cm)	30" (76 cm)	29" (73 cm)	26 lbs (12 kg)
24" (61 cm)	96" (244 cm)	29" (73 cm)	47 lbs (21 kg)
24" (61 cm)	84" (213 cm)	29" (73 cm)	43 lbs (20 kg)
24" (61 cm)	72" (183 cm)	29" (73 cm)	38 lbs (17 kg)
24" (61 cm)	60" (152 cm)	29" (73 cm)	37 lbs (17 kg)
24" (61 cm)	48" (122 cm)	29" (73 cm)	30 lbs (14 kg)
18" (46 cm)	96" (244 cm)	29" (73 cm)	37 lbs (17 kg)
18" (46 cm)	84" (213 cm)	29" (73 cm)	36 lbs (16 kg)
18" (46 cm)	72" (183 cm)	29" (73 cm)	33 lbs (15 kg)
18" (46 cm)	60" (152 cm)	29" (73 cm)	31 lbs (15 kg)

LEG OPTIONS



CARTS

Our space-saving, easy-rolling XpressPort carts or Mitylite Carts are the perfect partners to get our ABS tables where they need to go quickly while also protecting the finish.



XPRESSPORT SPACE SAVER
HOLDS 10 TABLES



XPRESSPORT SLANT STACK
HOLDS 18 TO 36 TABLES



RT CART FLAT
HOLDS 10 TO 20 TABLES



RT CART UPRIGHT
HOLDS 7 TABLES



RT CART EDGE
HOLDS 10 TABLES



**RT CART
DOUBLE CAPACITY**
HOLDS 20 TABLES



**RT CART
STACKING****
HOLDS 15 TO 30 TABLES



****X-BASE—STACKING**
REQUIRED FOR RT & CT
STACKING CARTS
(UP TO 3 HIGH)



WARRANTY

Visit mitylite.com/warranty

STANDARDS

All tables meet the American National Standard Institute's stability standard: ANSI-x5.5-1989.

SUSTAINABILITY

ABS tables are GREENGUARD Certified® and qualify for credits through LEED® and other sustainable building programs.